

Data sheet

Temperature sensor and temperature transmitter

Type MBT 5410



The MBT 5410 is a heavy-duty temperature sensor that can be used for controlling freezing installations and room temperature within general industry and marine applications. This temperature sensor is based on a standardized Pt 100 or Pt 1000 element, which gives a reliable and accurate measurement. If needed a transmitter (MBT 9110) can be ordered as an integrated part of the sensor.

Features

- For measuring temperature in marine and industrial refrigeration, freezing installations
- Temperature range: From -50 – 70 °C
- High measuring accuracy
- Robust construction with resistance to shock and vibration
- Available with built-in transmitter

Approvals

Lloyds Register of Shipping, LR
 Germanischer Lloyd, GL
 Det Norske Veritas, DNV
 Registro Italiano Navale, RINA

Nippon Kaiji Kyokai, NKK
 American Bureau of Shipping, ABS
 Korean Register of Shipping, KRS
 Bureau Veritas, BV
 China Classification Society, CCS

Technical data
Mechanical and environmental specifications

Ambient temperature	Approval from Lloyds Register of Shipping covers measuring range -30 – 70 °C. Because of this limitation the products are marked -30 – 70 °C.	
	Max. ambient temperatures for sensors with temperature transmitter are:	
	Standard:	-40 – 70 °C (Brief in max. 2 hours: 80 °C)
	Without transmitter:	-50 – 70 °C (Brief in max. 2 hours: 80 °C)
Sensor tolerance	EN 60751 class B: $\pm (0.3 + 0.005 \times t)$	t = temperature of medium, numerical value
Vibration stability	Shock:	100 g / 6 ms
	Vibrations:	4 g sine function, 2 – 100 Hz, measured acc. to IEC 60068-2-6
Enclosure	IP67 according to IEC 60529	
Cable entry	Pg 13.5	
Material (sensor tube)	W.no. 1.4571 (AISI 316 Ti)	

Further information about temperature transmitter type MBT 9110 available in separate data sheet

Response time

Protection tube	Indicative response times	
	Air 1 m/s	
	$t_{0.5}$	$t_{0.9}$
ø10 × 2	150 s	450 s

Net weight

	Without temperature transmitter	With temperature transmitter
Net weight, approx.	550 g	600 g

Ordering standard

Type MBT 5410		Sensor		Transmitter	
Temperature range	-50 – 100 °C (-30 – 70 °C) ¹⁾	0		00	0 °C (or none)
Resistance value	1 × Pt 100	0		05	50 °C
	1 × Pt 1000	2		10	100 °C
	Other	9		11	110 °C
				99	Other
Protection Tube, W.nr. 1.4571 (AISI 316 Ti)	ø10 mm	0			
	Other	9			
Insertion length	60 mm		060	0	None
	100 mm		100	1	0 °C
				2	-10 °C
				3	-30 °C
				4	-50 °C
				6	-20 °C
				9	Other
Tolerance	EN 60751 Class B		0		
	Other		9		
				0	None
				G	Standard
Connection	2 wire 3 terminals		0	0	
	3 wire		1	1	
	4 wire		2		
					Connection box
					KPS with plastic lid
					KPS with metal lid

Transmitter setting, end of range

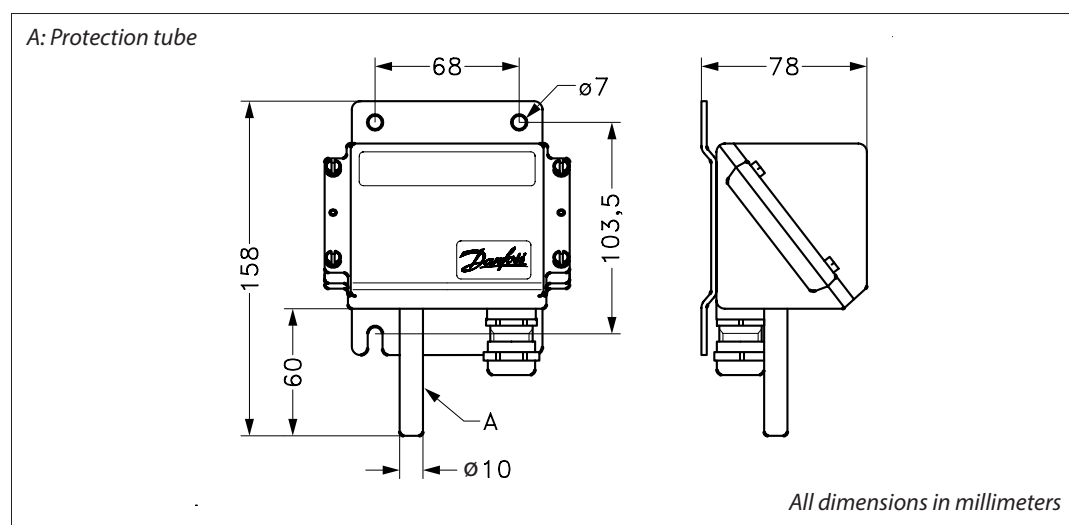
Transmitter setting, start of range

Transmitter type

Connection box

1) Approval from Lloyds Register of Shipping covers measuring range -30 – 70 °C. Because of this limitation the products are marked -30 – 70 °C

Dimensions



Danfoss can accept no responsibility for possible errors in catalogues, brochures and other printed material. Danfoss reserves the right to alter its products without notice. This also applies to products already on order provided that such alterations can be made without consequential changes being necessary in specifications already agreed. All trademarks in this material are property of the respective companies. Danfoss and the Danfoss logotype are trademarks of Danfoss A/S. All rights reserved.